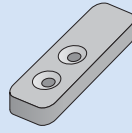
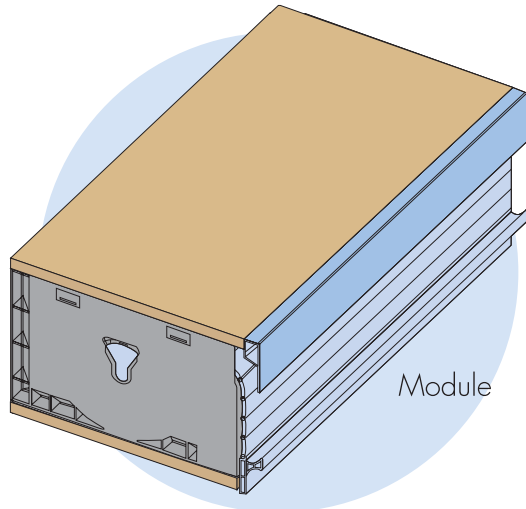
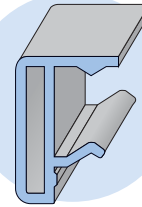


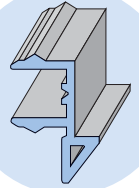
Goods receive:



Stopper

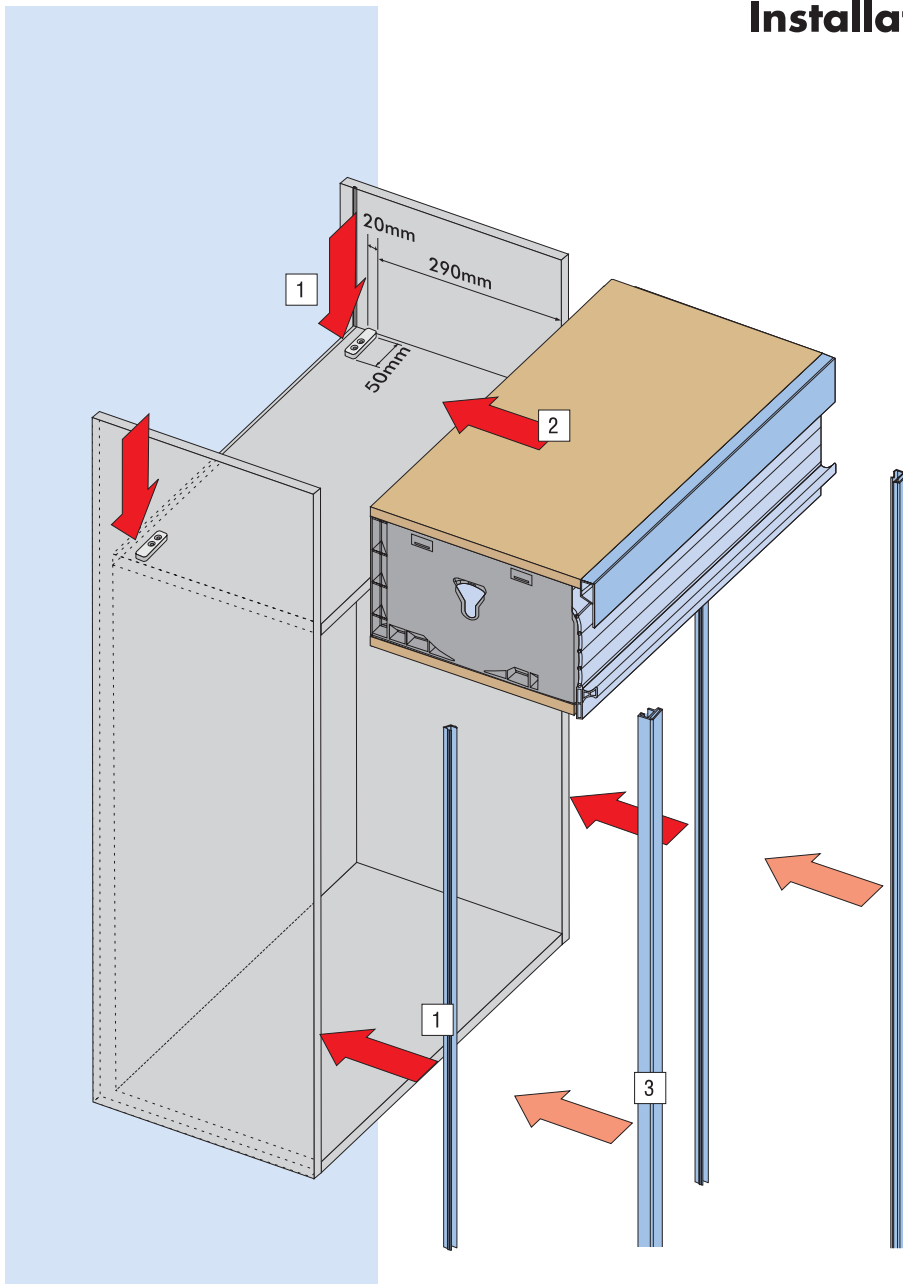


Front Profile



Base Guiding Profile

Installation



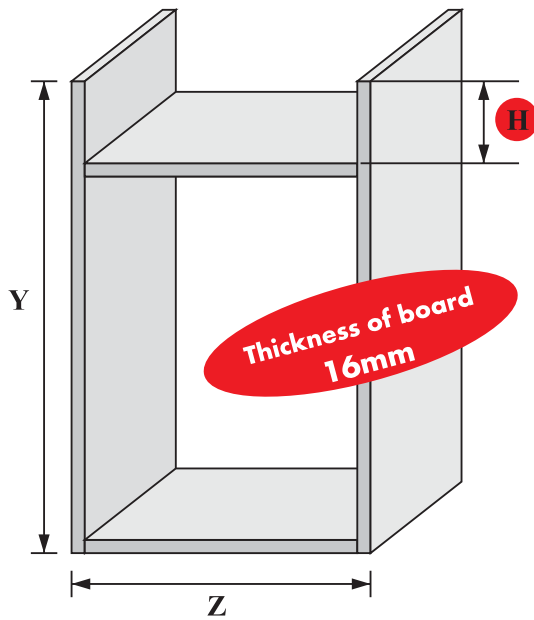
1 Fix Stopper & Base Guiding Profile



2 Insert Module



3 Pull down Panel Profile into Base Guiding Profile and plug-in Front Profile



Model	Maximum External Cabinet Height	Maximum External Cabinet Width	Module Height H	Minimum Depth
Easy-Roll I	1400	1000	204	310
Easy-Roll II	2300	1000	256	310

All size in mm

When Ordering, Please Specify The Following:

Model: Easy-Roll I

Colour 1779 M/S

Y External Cabinet Height : _____ mm

Easy-Roll II

Colour 1783 S/S

Z External Cabinet Width : _____ mm

Remarks: _____

